

CARVEL-CGSA

CARVEL GROUND SLEEVE ANCHOR

Simple, fast and efficient, the Carvel sleeve anchor system is a proven system that makes it easy to install and tightly secure 60 mm (dia. 2.375") round signposts, bollards, delineators, and other street furniture.

Fully buried 13 mm (.5") deep under the ground, the Carvel sleeve is not an obstacle and is therefore never damaged in the event of an impact with the fixed equipment, in addition to facilitating road maintenance operations once the equipment is removed. Thanks to the notch specially designed to accommodate the matching nail, the material can only be released using the adapted extractor. Simply effective, the carvel sleeve anchoring system is as safe as it is affordable.



STABLE, STURDY
AND DURABLE



SIMPLIFY
MAINTENANCE OF
FIXED EQUIPMENT



COMPATIBLE WITH
ANY GROUND TYPES

CARVEL

ANCHOR SYSTEM





TECHNICAL SPECIFICATIONS OF THE CARVEL GROUND SLEEVE ANCHOR

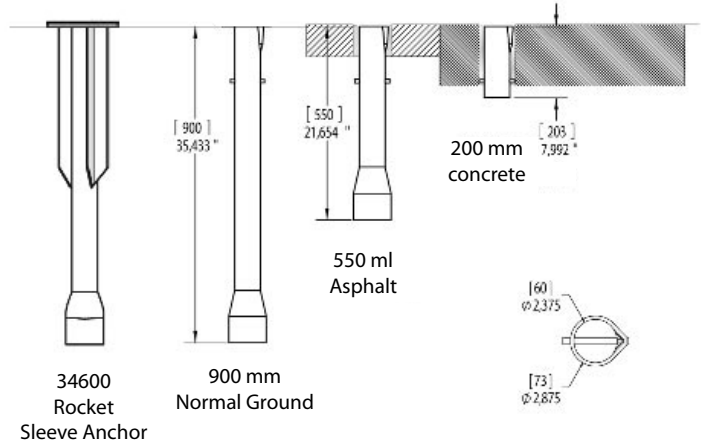
Features

Materials Steel Raw or Galvanized Steel

Dimensions I.D.: 60 mm (2.375")
 O.D.: 73 mm (2.875")
 Depth: (see product n°)

Applications

200 mm: Concrete
 550 mm: Asphalt
 900 mm: Soft Grounds (Grass, Soil, etc.)
 900 mm: Rocket Style: For 4" pole



Product Number	Description	Box : Dimension - Weight	HSS Code
Assembly Kit			
	Track Spike .375 x 3" – High Carbon Steel	Call for info	N/A
	200mm Carvel Sleeve Anchor (Concrete Installation)	Call for info	N/A
	550mm Carvel Sleeve Anchor (Asphalt Installation)	Call for info	N/A
	900mm Carvel Sleeve Anchor (Ground Installation)	Call for info	N/A
Options			
#30924	Track spike & Sleeve Adapter Extractor	Call for info	N/A
#31582	Anchor Stabilizer for Soft Ground	Call for info	N/A
#32534	Sleeve Anchor Cap	Call for info	N/A
#31187	Jackhammer Adapter for Sleeve Anchor	Call for info	N/A

Included in kit : Two (2) years Limited Warranty against defects in workmanship and materials.



**TRACK SPIKE
 .375 X 3" STEEL
 #30708**



**TRACK SPIKE &
 SLEEVE ADAPTER
 EXTRACTOR #30924**



**SLEEVE
 ANCHOR CAP
 #32534**



**ANCHOR STABILIZER
 FOR SOFT GROUND
 #31582**



**JACKHAMMER
 ADAPTER FOR SLEEVE
 ANCHOR #31187**