

# KAMELION TNS-SV TRAFFIC ANALYZER

The TNS-SV is a two-way Doppler road traffic analyzer, highly accurate on speed (over 99.5%) and therefore less accurate on counting. Which makes for non-intrusive field analysis. The speed analyzer gathers precise and detailed statistics. The radar has graphic display and four navigation buttons for a quick and simple set-up. It provides an excellent understanding of traffic speed by time slot, approximate traffic flow ( $\pm 90\%$ ) and its AADT, speed variation (acceleration/deceleration) as well as the distribution of traffic into four (4) classes of vehicles (motorcycle, car, SUV and truck) and the 85th percentile.



DISCRETE DESIGN



QUICK & EASY  
INSTALLATION



DATA COLLECTION  
AND CLASSIFICATION



**KAMELION**  
Advanced electronic signage





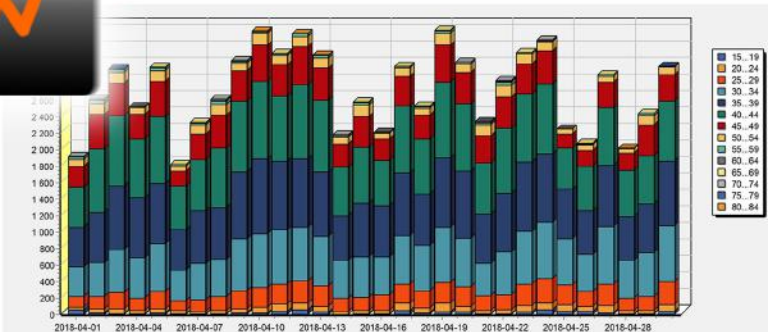
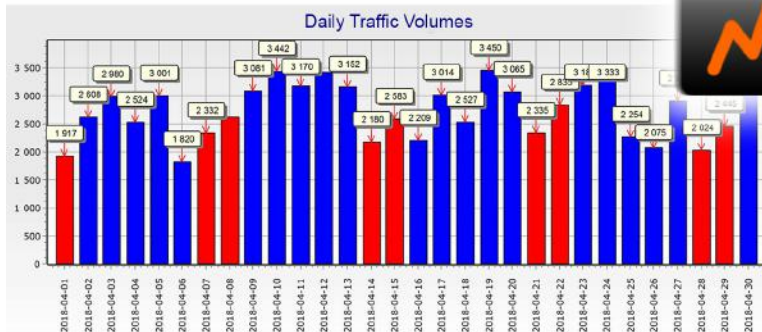
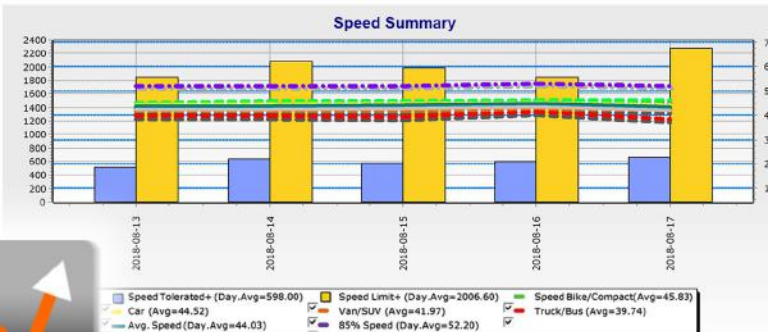
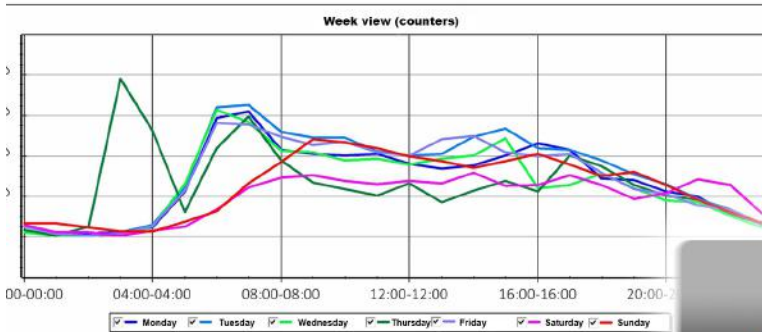
# FEATURES OF THE TNS-SV TRAFFIC ANALYZER



## Deep analysis to improve road traffic flow

Take into account that the TNS-SV is a bi-directional traffic analyzer and not a vehicle counter. The counting accuracy of the analyzer will vary depending on the traffic density and the road configuration. For example, in a residential area on a straight 300m segment without intersection, the accuracy will be close to 100%.

On the other hand, in dense traffic or four lanes, vehicles could obstruct the capture of the smaller ones and the counting would be altered. However, the speed report generates analysis information for a good management of your road network.



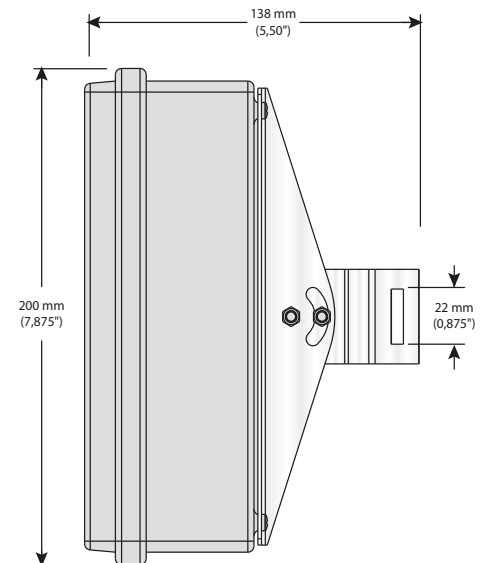
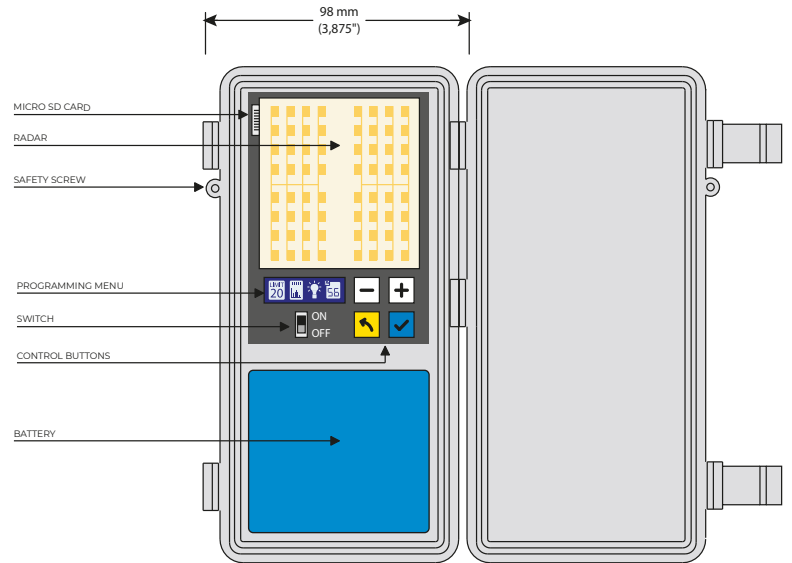
- ▶ Two-way doppler road traffic analyser
- ▶ Vehicles classification four classes (motorcycle cycle car, SUV and truck)
- ▶ Vehicles speed by time slot
- ▶ Traffic flow by time slot
- ▶ 15 minutes installation
- ▶ Battery autonomy 7/10 day
- ▶ Solar & Cloud optional for permanent installation



# TECHNICAL SPECIFICATIONS OF THE TNS-SV TRAFFIC ANALYZER

## TNS-SV Traffic Analyzer

Product number	TNS-SV #37325
Housing	ABS
Mounting Bracket	Stainless steel
Weight	1.1 kg (2.4 lbs)
Radar Type	Doppler (24.125 Ghz)
Data Collection	Bidirectional
Range	300 m (1000 pi)
Width	12°H x 24°V
Captured Speeds	5 to 200 km/h (3 to 124 mph)
Wireless Communication	Bluetooth (optional)
Wireless Range	Up to 100 m (328') without obstacles
Power Source	7.4 V Lithium battery
Nominal Current	35 mA
Battery Autonomy	Up to 7 days
Power Supply	Solar panel (optional)
Voltage In	10.8 to 28 VDC
Operational Temperature	-40 to 50°C (-40 to 122°F)



Product Number	Description	Box : Dimension - Weight	HSS Code
<b>Assembly Kit</b>			
#37325	TNS-SV Traffic Analyzer	17 x 14 x 7 in – 10 lb	8530.90
<b>Options</b>			
#37671	Bluetooth communication with 30W Solar Power Unit. For permanent use	17 x 14 x 7 in – 10 lb	8530.90
#38332	CLOUD modem communication with 50W Solar Power Unit. For permanent use. (Annual hosting not included.)	17 x 14 x 7 in – 10 lb	8530.90
#37319	Access and annual fees to the Navigate Traffic Cloud™ web platform	N/A	N/A

**Included in kit :** Installation hardware for streetlight pole. Two (2) years Limited Warranty against defects in workmanship and materials.