

BTRV-10 FLEXIBLE DELINEATOR

COMPLIES WITH NCHRP 350 STANDARDS

A PRODUCT BY



DISTRIBUTED BY



The flexible delineator for road work zones is designed to channelize traffic in narrow areas. The B-TRV-10 can be used instead of much wider channelizer drums to save space and keep the area safe for road workers and passing vehicles. Its flexibility ensures good value since it can withstand hundreds of impacts and return to its shape, continuing its function.



MAXIMUM VISIBILITY
WITH 24 INCHES OF
REFLECTIVE FILM



MEETS THE MAJORITY
OF GOVERNMENT
STANDARDS



FLEXIBLE POLYMER
WITH ANTI UV
TREATMENT



MANY SAFE
AND DURABLE
INSTALLATION OPTIONS

24 inches of
high grade
reflectors.



EXCELLENT STABILITY WITH
LITTLE TO NO MAINTENANCE
AFTER COLLISIONS.

CAN WITHSTAND
OVER 100 IMPACTS



REFERENCE

DEFLEX3548 manufactured by Traffic Innovation inc. Product # : BTRV-10

CONSTRUCTION

Single piece, monolithic design, made of polymer without mechanical parts.

STANDARD

NCHRP 350, category 1 devices
MTQ-T-RV-10 compliant
GUQ-1036 compliant

FEATURES

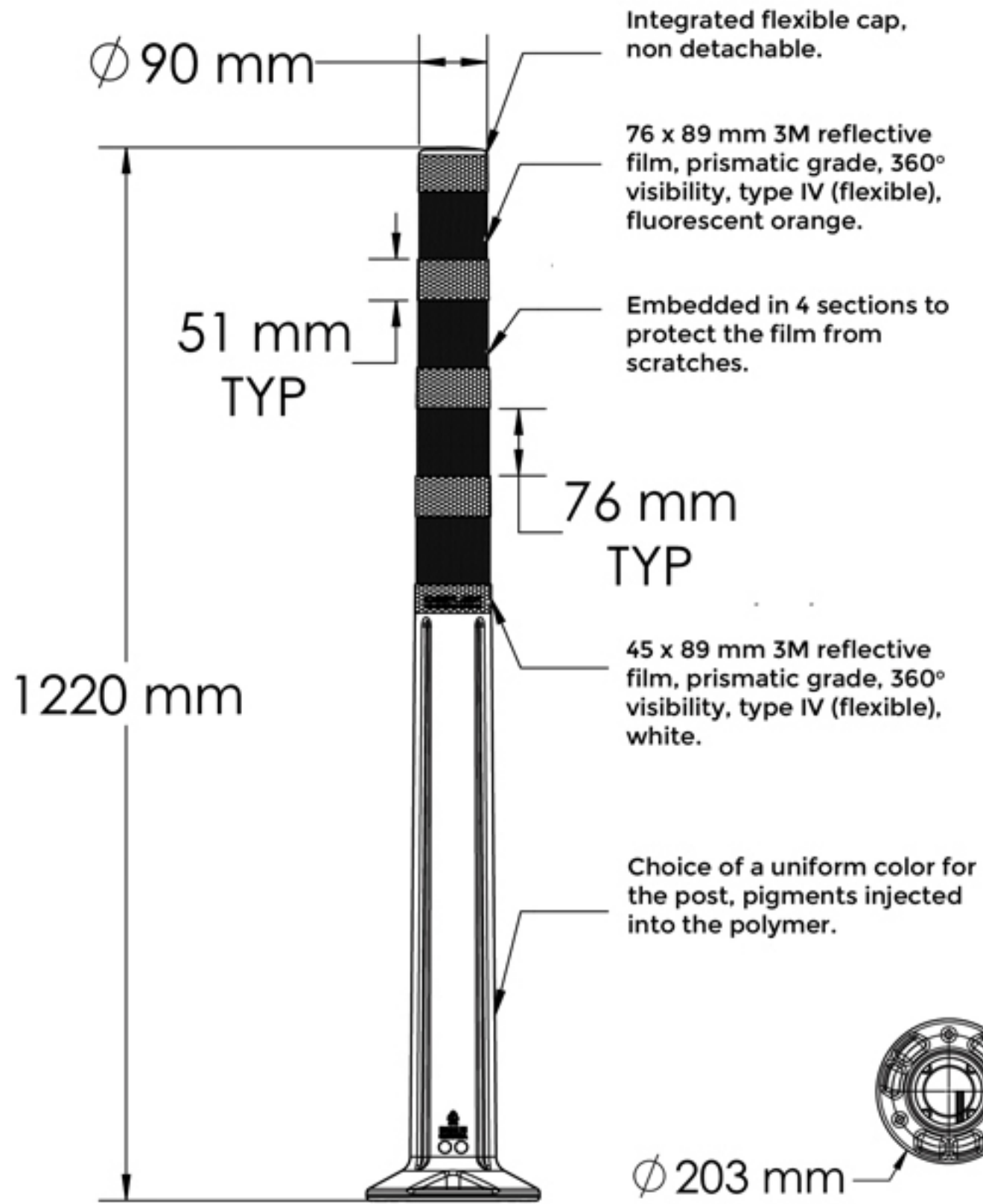
Proven product for over 5 years in all weather conditions and temperatures ranging from -20°C to +35°C.

WEIGHT

1.5 kg (3.3 lbs)

PERFORMANCE

- Flexible and 360° visibility.
- The delineator must resist to 200 impacts of 70 km/h and regain its original shape.
- The delineator can be crushed by a heavy truck and regain its original shape.



SAFE INSTALLATIONS

PERMANENT OR SEASONAL ON ASPHALT

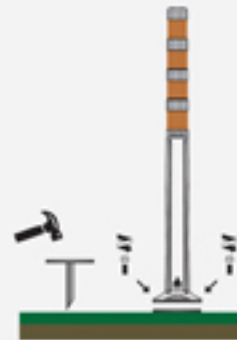


Threaded pins and bolts



M10 threaded pin for asphalt and concrete. Includes three caps when the delineator is not installed.

PERMANENT ON GROUND



Ground spike



Galvanized spike 8" x 8" x 16" (203 x 203 x 406 mm)

PERMANENT ON CONCRETE BORDER

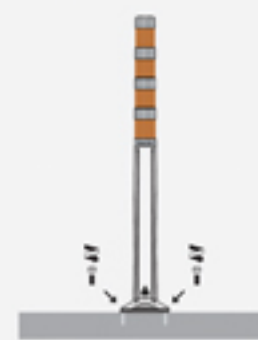


Concrete screws and reinforcement plates



.375"-16 x 2,5" zinc plated screws and plates for permanent installation.

PERMANENT ON CONCRETE

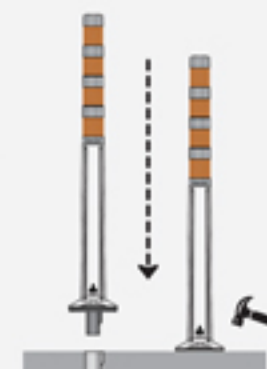


Concrete screws



.375"-16 x 2,5" zinc plated screws for permanent installation.

EASY-IN, EASY-OUT SPECIAL EVENTS

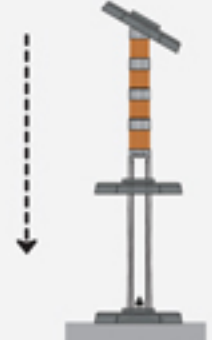


Carvelle sleeve anchor



Anchor lengths: 8", 22" or 36" (200, 550, or 900 mm)

MOBILE INSTALLATION



16 lb rubber base



#33769